

[54] BLOCK PUZZLE

[76] Inventors: Clarence Johnson; Irene Johnson, both of 106 Meadow View Dr. R.R. 2, Box 49, Decorah, Iowa 52101

[21] Appl. No.: 212,499

[22] Filed: Jun. 28, 1988

Related U.S. Application Data

[62] Division of Ser. No. 95,097, Sep. 8, 1987, Pat. No. 4,784,392.

[51] Int. Cl.<sup>4</sup> ..... A63F 9/10

[52] U.S. Cl. .... 273/157 R

[58] Field of Search ..... 273/157 R, 160

[56] References Cited

U.S. PATENT DOCUMENTS

3,546,792 12/1970 Sherman ..... 273/160

FOREIGN PATENT DOCUMENTS

169653 12/1951 Austria ..... 273/157 R

2250554 6/1975 France ..... 273/157 R

OTHER PUBLICATIONS

"Polyminoos" by Solomon W. Golomb, publ. by Charles Scribner's Son, copyright 1965, pp. 19, 22, 23, 37 and 38 relied on.

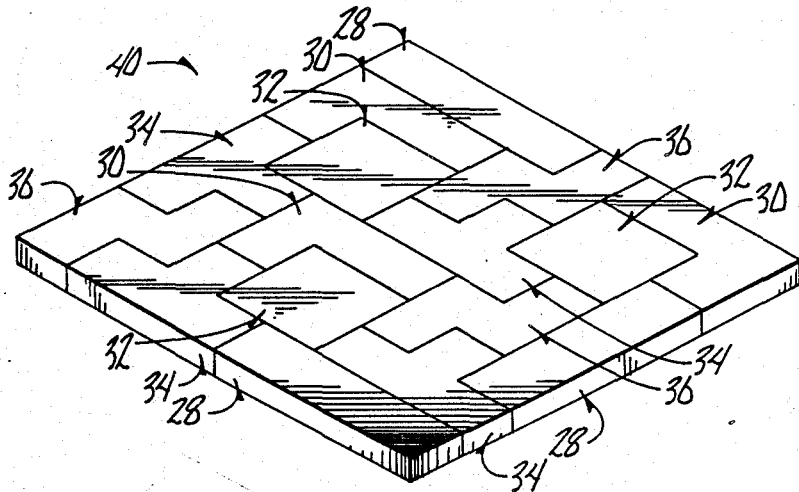
Primary Examiner—Anton O. Oechsle

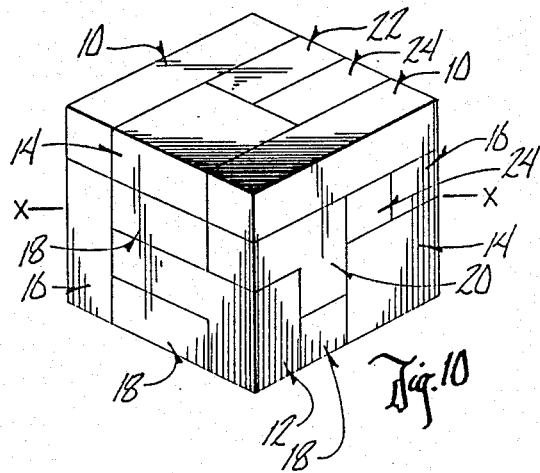
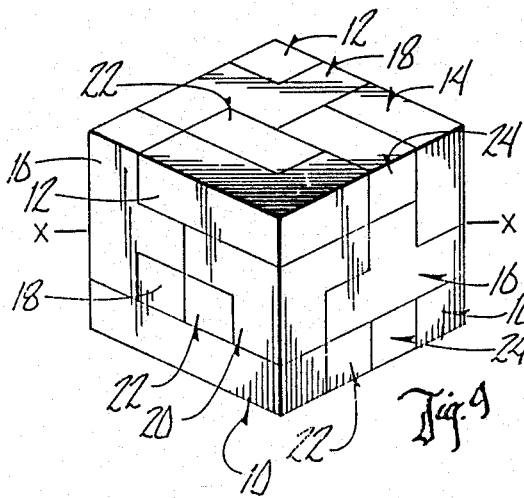
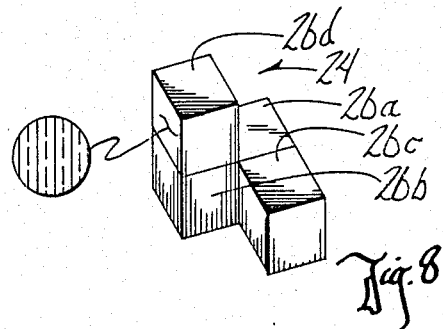
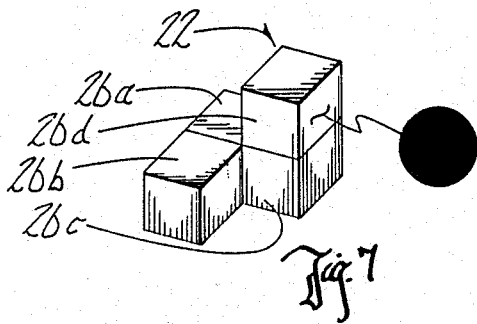
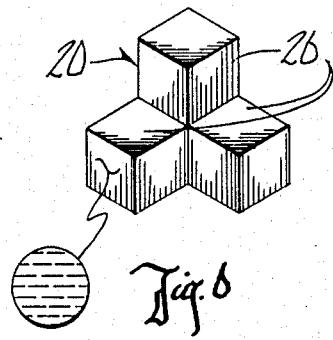
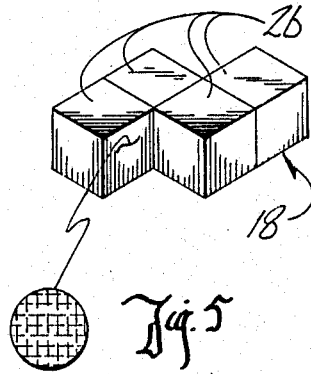
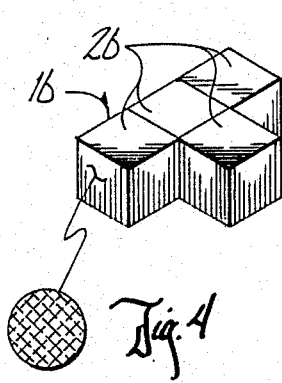
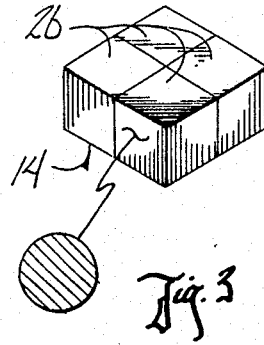
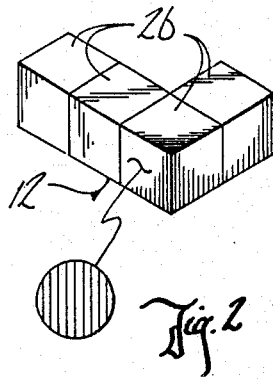
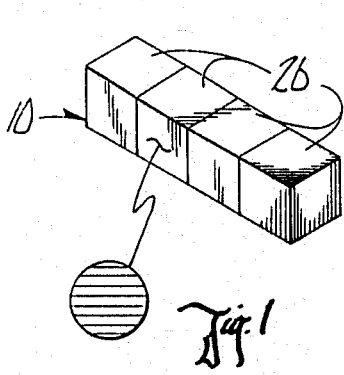
Attorney, Agent, or Firm—Zarley, McKee, Thomte, Voorhees & Sease

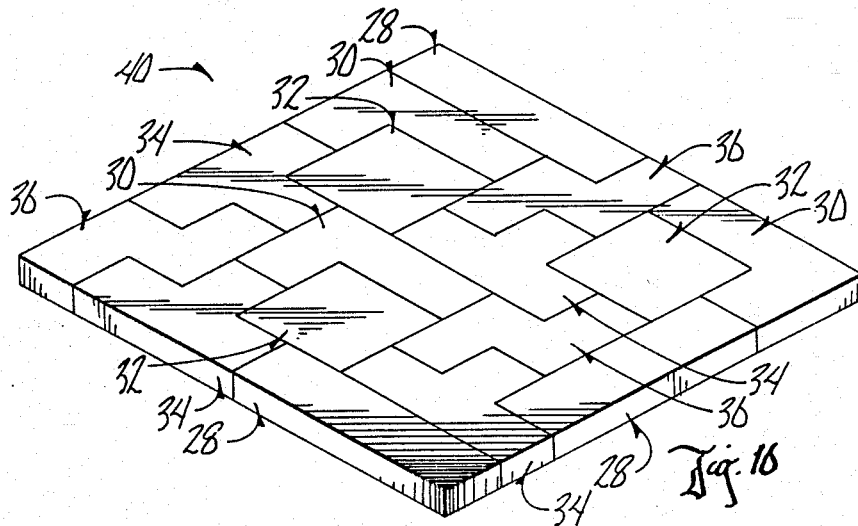
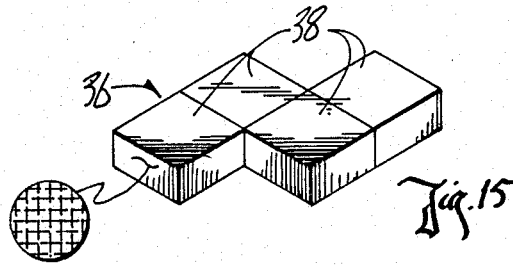
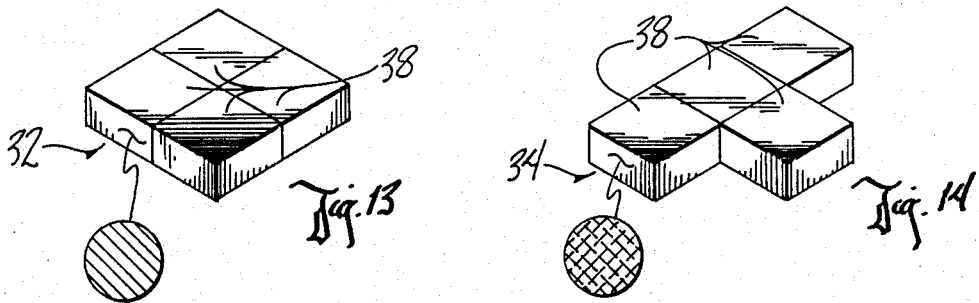
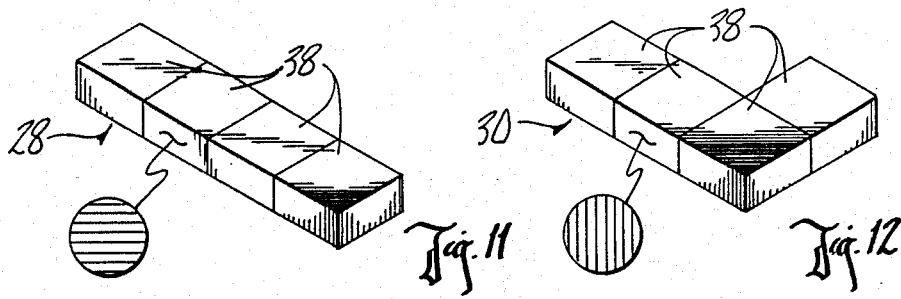
[57] ABSTRACT

The block puzzle of the present invention includes a first set of eight pieces comprising a straight piece, an L-shaped piece, a square piece, a T-shaped piece, a Z-shaped piece, a center piece, a left-hand piece, and a right-hand piece. Each of the eight pieces comprise a combination of four cubic units, all of the cubic units being the same size. A second set of eight pieces identical to the first set can be combined with the first set, and the combined 16 pieces may be assembled into a plurality of configurations, all of which produce an overall cube having 64 of the cube units therein and having a length, width and height equal to four of the cube units. A modified form of the invention includes a set of 16 pieces which are flat and which include three straight pieces, three square pieces, three Z-shaped pieces, three L-shaped pieces, and four T-shaped pieces. Each of these 16 pieces are formed from four square flat units. The 16 pieces may be arranged to provide a two-dimensional square having 64 of the identically mentioned square units formed into an 8x8 square. Each of the different shaped pieces in both of the above configurations may be made of distinctive colors so that different color patterns may be obtained when the pieces are put together into different configurations.

2 Claims, 2 Drawing Sheets







## BLOCK PUZZLE

This application is a divisional of Application Ser. No. 095,097 filed Sept. 8, 1987, now U.S. Pat. No. 4,784,392.

## BACKGROUND OF THE INVENTION

This invention relates to a block puzzle.

Different forms of block puzzles have been provided in the past. Examples of these block puzzles are shown in Thompson U.S. Pat. No. 3,638,949; Flanigen U.S. Pat. No. 3,771,795; Klopfenstein U.S. Pat. No. 4,189,151; Steven R. Shannon U.S. Pat. No. 4,210,333; Beaman U.S. Pat. No. 4,323,245; and Guenther U.S. Pat. No. 4,534,563. Thompson shows a series of disconnected cube groups formed into pieces which are capable of being assembled into an overall cube having a  $3 \times 3 \times 3$  configuration.

Klopfenstein shows a plurality of cubes which may be formed into an  $8'' \times 8''$  flat configuration, and which include a plurality of different colored surfaces which can be arranged into different patterns.

None of the above patents show a puzzle which can be combined into a  $4 \times 4 \times 4$  overall cube containing 64 smaller cube units. Also, none of the above patents show a puzzle comprising 16 pieces which can be formed into a plurality of configurations forming an  $8 \times 8$  flat square, with each of the individual pieces being formed from various arrangements of four smaller square units.

Therefore, a primary object of the present invention is the provision of an improved block puzzle comprising a number of different pieces, each piece being a different arrangement of a group of four cubic units.

A further object of the present invention is the provision of an improved puzzle which includes the aforementioned pieces which are capable of being assembled into a  $4 \times 4 \times 4$  cube.

A further object of the present invention is the provision of a modified form of the present invention which can be formed into an  $8 \times 8$  two-dimensional square.

A further object of the present invention is the provision of a puzzle having a plurality of pieces, each of which is a different color, so that the different pieces can be combined into different configurations having different colored appearances.

A further object of the present invention is the provision of a block puzzle which is attractive in appearance, economical to manufacture, and durable in use.

## SUMMARY OF THE INVENTION

The present invention relates to a block puzzle comprising a number of different shaped pieces. Each piece is formed from a different arrangement of four cubic units fastened together to form the different shapes. One form of the puzzle utilizes two sets of eight pieces. The eight pieces include a straight piece, an L-shaped piece, a square piece, a T-shaped piece, a Z-shaped piece, a center piece, a left-handed piece and a right-handed piece. Two sets of these eight pieces can be arranged to form a cube having four of the cubic units on each side in a  $4 \times 4 \times 4$  arrangement.

A modified form of the invention includes 16 flat pieces, each comprised of four flat square units. The 16 pieces comprise three straight pieces, three square pieces, three Z-shaped pieces, three L-shaped pieces, and four T-shaped pieces. These 16 pieces may be ar-

ranged in an overall square having eight of the square units on each side in an  $8 \times 8$  configuration. They may be arranged in a plurality of different patterns to form this  $8 \times 8$  square. Each of the different shaped pieces can be colored a unique color so that different color patterns may be achieved when they are assembled into the  $8 \times 8$  configurations.

## BRIEF DESCRIPTION OF THE DRAWINGS

FIGS. 1-8 are perspective views of each of the individual pieces of the present puzzle.

FIG. 9 is a perspective view of one cubic configuration which can be formed from two sets of the pieces shown in FIGS. 1-8.

FIG. 10 is another view of the configuration of FIG. 9, shown rotated  $180^\circ$  about axis x-x.

FIGS. 11-15 show five pieces which are utilized in a modified two-dimensional form of the present invention.

FIG. 16 shows an example of an  $8 \times 8$  flat configuration which can be formed by a set of 16 pieces comprising three each of the pieces shown in FIGS. 11-13 and 15, and four each of the pieces shown in FIG. 14.

## DETAILED DESCRIPTION OF THE PREFERRED EMBODIMENT

FIGS. 1-8 show the various pieces which form the block puzzle of the present invention. These pieces include a straight piece 10, an L-shaped piece 12, a square piece 14, a T-shaped piece 16, a Z-shaped piece 18, a center piece 20, a left-hand piece 22, and a right-hand piece 24. Each of the pieces 10-24 is comprised of four sub-units or cube units which are designated by the numeral 26 in the drawings. Each of these cube units is the same size and is used to form the various shapes of the pieces 10-24 shown in FIGS. 1-8. For example, straight piece 10 comprises four cube units 26 arranged in a straight line. L-shaped piece 12 comprises four cube units 26 arranged in an L-shape. Square piece 14 comprises four cube units 26 arranged in a square. T-shaped piece 16 comprises four cube units 26 arranged in a T-shaped configuration. Z-shaped piece 18 comprises four cube units arranged in a Z-shaped configuration.

Center piece 20 comprises four cube units 26, with one cube unit forming a corner and with the other three cube units extending at right angles to one another from three of the sides of the corner cube unit.

The left-hand piece shown in FIG. 7 comprises a corner cube unit 26a having two additional units, 26b, 26c, extending at right angles to one another from two adjacent sides of unit 26a, and with a fourth unit 26d extending upwardly above unit 26c. The right-hand piece 24 shown in FIG. 8 includes a corner piece 26a having two pieces, 26b, 26c, arranged in the same configuration as 26b and 26c of FIG. 7. However, the fourth cubic unit, 26d, is arranged above piece 26b, as contrasted with being arranged above piece 26c shown in FIG. 7.

If two sets of the eight pieces shown in FIGS. 1-8 are combined, it is possible to create a plurality of overall cubes having dimensions of four cubic units x four cubic units. FIGS. 9 and 10 show one example of many cubic configurations which can be formed from two sets of the pieces shown in pieces 1-8. FIG. 9 shows a perspective view of the overall cube which can be formed from two sets of pieces shown in FIGS. 1-8. FIG. 10 shows the same cube rotated  $180^\circ$  about the axis designated by

the letters x-x. The respective pieces 10-24 are labeled in the overall cube shown in FIGS. 9 and 10.

The cube shown in FIGS. 9-10 is one possible configuration, but a large variety of configurations may be formed into various 4x4x4 cubes. By making each of the pieces 10-24 different colors, it is possible to obtain different color configurations in the cube ultimately formed. Furthermore, the color combinations enable the user to visually analyze the patterns which he is achieving when forming different cube configurations. If the pieces were all the same color, it would be very difficult for the user to visually analyze the configuration he is building. Thus, the color codes for the various pieces are shown in FIGS. 1-8.

FIGS. 11-16 show a modified form of the invention for use in a two-dimensional puzzle. The configuration comprises five separate pieces which include a straight piece 28, an L-shaped piece 30, a square piece 32, a T-shaped piece 34, and a Z-shaped piece 36. Each of these pieces is formed from four small square units designated by the numeral 38. A set of 16 pieces is formed from the five different shaped pieces shown in FIGS. 11-15 and includes three each of the pieces 28, 30, 32, and 36, and four of the T-shaped pieces 34.

FIG. 16 shows an overall square 40 which is one of the many configurations which can be formed from the pieces 28-36. Each of the individual pieces is identified in the square 40, and square 40 has a dimension of 8x8, with eight individual squares 38 on each side. Each of the pieces 28-36 is colored a different color, and these colors can be arranged to provide different types of puzzles or problems for the user. That is, all of the T-shaped pieces are of one color, all of the L-shaped pieces are of another color, all of the straight pieces are another color, and so on. The configuration shown in FIG. 16 shows one example of a configuration arranged in such a manner that none of the pieces having the same color are touching. No pieces having the same shape (or color) are touching one another in the configuration shown in 16. It is also possible to provide other types of combinations. For example, another combination is possible with all of the same shapes (or colors) touching. Numerous other configurations can be achieved, and this variety of possibilities is what makes the puzzle particularly interesting and intellectually stimulating.

Thus, it can be seen that the device accomplishes all of the stated objectives.

We claim:

1. A block puzzle comprising:
  - a set of sixteen pieces comprising three straight pieces, three square pieces, three Z-shaped pieces, three L-shaped pieces, and four T-shaped pieces;
  - said straight pieces each comprising a combination of four straight piece square units formed into a 1x4 straight line;
  - said square pieces each comprising a combination of four squarepiece square units formed into a 2x2 square;
  - said Z-shaped pieces comprising a first Z-piece square unit and a second Z-piece square unit formed in a 1x2 straight line, a third Z-piece square unit extending from said first Z-piece square unit in a first direction perpendicular to said 1x2 straight line and a fourth Z-piece square unit extending from said second Z-piece square unit in a direction opposite from said first direction;
  - said L-shaped pieces comprising first, second, and third L-piece square units formed into a 1x3 straight line and a fourth L-piece square unit extending from said first L-piece square unit at one end of said 1x3 straight line and in a direction perpendicular to said 1x3 straight line;
  - said T-shaped pieces each comprising first, second, and third T-piece square units formed into a 1x3 crossbar line and a fourth T-piece square unit at the center of said crossbar line in a direction perpendicular to said crossbar line;
  - said straight-piece square units, said square-piece square units, said Z-piece square units, said L-piece square units, and said T-piece square units each being flat and being formed into identically dimensional squares;
  - whereby said set of 16 pieces can be assembled into a plurality of configurations which produce an overall square having 64 of said identically dimensional squares in an 8x8 configuration.

2. A block puzzle according to claim 1, wherein said 16 pieces are colored in such a manner that said three straight pieces are a first color, said three square pieces are a second color, said three Z-shaped pieces are a third color, said three L-shaped pieces being a fourth color, and said four T-shaped pieces are a fifth color, said first through said fifth colors each being unique with respect to one another.

\* \* \* \* \*

50

55

60

65